



EVERLIGHT ELECTRONICS CO.,LTD.

# DATA SHEET

PART NO. : 17-21/Y2C-AN1P2/3T

DATE : 2004.11.17

DEPARTMENT : R.D.1

REVISION : 1

<b>RECEIVED</b>			
<input checked="" type="checkbox"/> MASS PRODUCTION			
<input type="checkbox"/> PRELIMINARY			
<input type="checkbox"/> CUSTOMER DESIGN			
DEVICE NUMBER :			
PAGE : 12			
CUSTOMER	DESIGNER	CHECKER	APPROVER
	Jessica Chang		

1	New data sheet approve	2004.11.17
REV	DESCRIPTION	RELEASE DATE

OFFICE : NO 25,Lane 76,Chung Yang Rd,Sec.3 Tucheng, Taipei 236, Taiwan, R.O.C.

TEL : 886-2-2267-2000,2266-9936 ( 22 Lines )

FAX : 886-2-2267-6189

<http://www.everlight.com>



Package Type:

SMD For PCB Type

11-21	19-215
12-21	19-215A
12-215	19-217A
15-21	22-21
15-215	23-21
16-213	23-21B
17-21	24-21
17-215	25-21
19-21	27-21
19-21A	42-21

Dominant Wavelength Groups:

According to the difference wavelength to define  
None:No definition  
A : Standard wavelength definition.  
B : Range of wavelength definition is more narrowly than group A.  
C : Range of wavelength definition is more narrowly than group A, but the value is different with group B.  
F : The wavelength definition in special specification.

The dominant wavelength data did not including ±1nm testing tolerance.

Test Forward Current:

None: 20 mA  
Y : 5 mA  
Z : 10 mA

Taping Quantity:

- 1: 1000 pcs (Taping)
- 2: 2000 pcs (Taping)
- 3: 3000 pcs (Taping)
- 5: 5000 pcs (Taping)
- C : 1500 pcs (Taping)
- D : 10000 pcs (Taping)

Packing Method :

- A: Reverse-side placement
- B: Reverse-side placement (Anode toward the sprocket hole)
- C: Right-side placement
- D: Right-side placement (Anode toward the sprocket hole)
- T: Top-side placement
- R: Top-side placement (Anode toward the sprocket hole)

19 - 21

/

B

H

C

-

A

N1

P2

M

/

3

T

Emission Color:

- R:Red (λ d:640nm,630nm,625nm)
- S:Sunset Orange (λ d:615nm,605nm)
- Y:Yellow (λ d:595nm,590nm)
- G:Green (λ d:570nm,565nm,560nm,525nm,505nm)
- B:Blue (λ d:470nm)
- W:White x=0.32 y=0.31

The ordinal number that base on diffece electro-optical characteristics within chip.

1,2 ..... 7,8,9, A,B.....X,Y,Z

Resin Color:

- C:Water Clear
- W:White Diffused
- D:Diffused

Luminous Intensity Groups:

- |                   |     |                   |
|-------------------|-----|-------------------|
| C0: 0.28 ... 0.45 | R ⇨ | R1: 112 ... 140   |
| D0: 0.45 ... 0.70 | S ⇨ | R2: 140 ... 180   |
| E0: 0.70 ... 1.1  | T ⇨ | S1: 180 ... 225   |
| F0: 1.1 ... 1.8   | U ⇨ | S2: 225 ... 285   |
| G0: 1.8 ... 2.8   | V ⇨ | T1: 285 ... 360   |
| H0: 2.8 ... 4.5   | W ⇨ | T2: 360 ... 450   |
| J0: 4.5 ... 7.2   | X ⇨ | U1: 450 ... 565   |
| K0: 7.2 ... 11.5  | Y ⇨ | U2: 565 ... 715   |
| L1: 11.5 ... 14.5 |     | V1: 715 ... 900   |
| L2: 14.5 ... 18.0 |     | V2: 900 ... 1120  |
| M1: 18.0 ... 22.5 |     | W1:1120 ... 1420  |
| M2: 22.5 ... 28.5 |     | W2:1420 ... 1800  |
| N1: 28.5 ... 36.0 |     | X1: 1800 ... 2250 |
| N2: 36.0 ... 45.0 |     | X2: 2250 ... 2850 |
| P1: 45.0 ... 57.0 |     | Y1: 2850 ... 3600 |
| P2: 57.0 ... 72.0 |     | Y2: 3600 ... 4500 |
| Q1: 72.0 ... 90.0 |     |                   |
| Q2: 90.0 ... 112  |     |                   |

Unit:md

The luminous intensity data did not including ±15% testing tolerance.

Forward Voltage Groups:

None: No definition

The VF definition as follows:

Unit:V				
Forward Voltage Group	Bin	Min.	Max.	
C B A	00	1.55	1.75	
	0	1.75	1.95	
	1	1.95	2.15	
	2	2.15	2.35	
	3	2.35	2.55	
M E D	4	2.55	2.75	
	5	2.75	3.05	
	6	3.05	3.35	
	7	3.35	3.65	
	8	3.65	3.95	
N F K R J	9	2.50	2.70	
	10	2.70	2.90	
	11	2.90	3.10	
	12	3.10	3.30	
	13	3.30	3.50	
	14	3.50	3.70	
	P H	15	2.70	2.85
		16	2.85	3.00
		17	3.00	3.15
		18	3.15	3.30

The forward voltage data did not including ±0.1V testing tolerance.

# ANNEX



EVERLIGHT ELECTRONICS CO., LTD.

REV.: 2.0

PAGE: 1/1

■ Dominant Wavelength Groups:

Y1,Y2,Y5		Range			
Dom . Wavelength Groups		Bin	Min.	Max.	Unit
A	C	D3	585.5	588.5	nm
		D4	588.5	591.5	nm
		D5	591.5	594.5	nm

Y3		Range			
Dom . Wavelength Group		Bin	Min.	Max.	Unit
A		D4	588.5	591.5	nm
		D5	591.5	594.5	nm
		D6	594.5	597.5	nm
		D7	597.5	600.5	nm

■ Forward Voltage Groups:

Forward Voltage Groups				Range							
				Bin	Min.	Max.	Unit				
N	F	K	R	A	00	1.55	1.75	V			
					0	1.75	1.95	V			
				B	1	1.95	2.15	V			
					2	2.15	2.35	V			
				C	3	2.35	2.55	V			
					4	2.55	2.75	V			
					5	2.75	3.05	V			
					6	3.05	3.35	V			
				M	E	D	7	3.35	3.65	V	
							8	3.65	3.95	V	
				J	R	K	R	9	2.50	2.70	V
								10	2.70	2.90	V
								11	2.90	3.10	V
								12	3.10	3.30	V
13	3.30	3.50	V								
14	3.50	3.70	V								
H	P	R	R	15	2.70	2.85	V				
				16	2.85	3.00	V				
				17	3.00	3.15	V				
				18	3.15	3.30	V				



# Technical Data Sheet

## 0805 Package Chip LED (1.1mm Height)

17-21/Y\_\_C Series \*1

### Features

- Package in 8mm tape on 7" diameter reel.
- Compatible with automatic placement equipment.
- Compatible with infrared and vapor phase reflow solder process.
- Mono-color type.
- Pb-free.



### Descriptions

- The 17-21 SMD Taping is much smaller than lead frame type components, thus enable smaller board size, higher packing density, reduced storage space and finally smaller equipment to be obtained.
- Besides, lightweight makes them ideal for miniature applications. etc.

### Applications

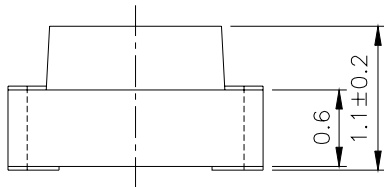
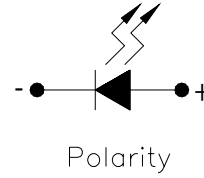
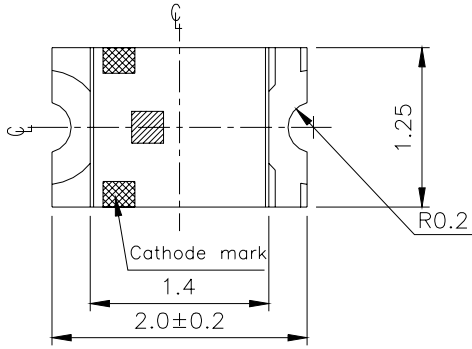
- Automotive: backlighting in dashboard and switch.
- Telecommunication: indicator and backlighting in telephone and fax.
- Flat backlighting for LCD, switch and symbol.
- General use.

### Device Selection Guide

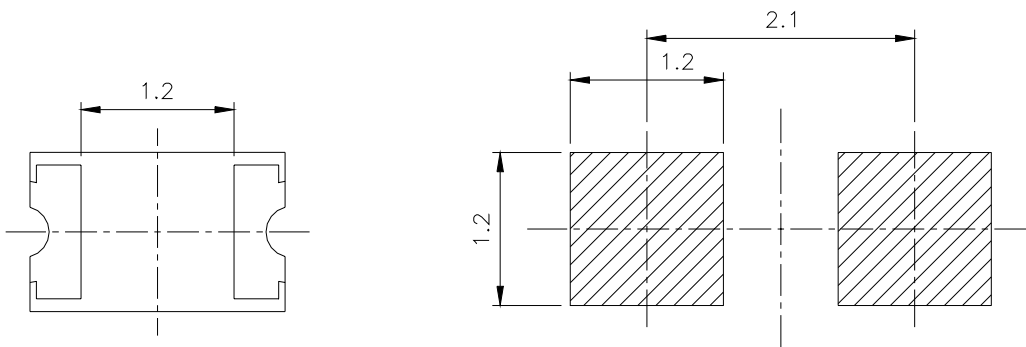
Part No.	Chip		Lens Color
	Material	Emitted Color	
17-21/Y1C	GaAsP/GaP	Yellow	Water Clear
17-21/Y2C	AlGaInP	Brilliant Yellow	
17-21/Y3C		Yellowish Brown	

\*1. The series is included 17-21/Y1C,17-21/Y2C, and 17-21/Y3C.

**Package Outline Dimensions**



For reflow soldering



**Note:** The tolerances unless mentioned is  $\pm 0.1\text{mm}$ , Unit = mm

**Absolute Maximum Ratings (Ta=25°C)**

Series	Parameter	Symbol	Rating	Unit
17-21/Y_C Series	Reverse Voltage	V <sub>R</sub>	5	V
17-21/Y1C	Forward Current	I <sub>F</sub>	30	mA
17-21/Y2C/Y3C			25	
17-21/Y_C Series	Operating Temperature	T <sub>opr</sub>	-40 ~ +85	°C
17-21/Y_C Series	Storage Temperature	T <sub>stg</sub>	-40 ~ +90	°C
17-21/Y_C Series	Soldering Temperature	T <sub>sol</sub>	260 (for 5 seconds)	°C
17-21/Y_C Series	Electrostatic Discharge	ESD	2000	V
17-21/Y1C	Power Dissipation	P <sub>d</sub>	100	mW
17-21/Y2C/Y3C			60	
17-21/Y_C Series	Peak Forward Current (Duty 1/10 @1KHz)	I <sub>FP</sub>	60	mA

**Electro-Optical Characteristics (Ta=25°C)**

Part No.	Parameter	Symbol	Min.	Typ.	Max.	Unit	Condition
17-21/Y1C	Peak Wavelength	$\lambda_p$	----	585	----	nm	IF=20mA
17-21/Y2C				591			
17-21/Y3C				598			
17-21/Y1C	Dominant Wavelength	$\lambda_d$	----	590	----	nm	
17-21/Y2C				589			
17-21/Y3C				595			
17-21/Y1C	Spectrum Radiation Bandwidth	$\Delta \lambda$	----	35	----	nm	
17-21/Y2C				15			
17-21/Y3C				16			
17-21/Y_C Series	Viewing Angle	$2\theta_{1/2}$	----	140	----	deg	
17-21/Y_C Series	Forward Voltage	V <sub>F</sub>	----	2.0	2.4	V	
17-21/Y_C Series	Reverse Current	I <sub>R</sub>	----	----	10	$\mu A$	V <sub>R</sub> =5V

**17-21/Y\_\_C Series Explain Of Luminous Intensity:**
**IF=20mA**

Part No.	Parameter	Symbol	Typ.	Bin	Min.	Max.	Unit
17-21/Y1C-H0K0	Luminous Intensity	Iv	6	H0	2.8	4.5	mcd
				J0	4.5	7.2	
				K0	7.2	11.5	
17-21/Y2C-N1P2	Luminous Intensity	Iv	50	N1	28.5	36.0	mcd
				N2	36.0	45.0	
				P1	45.0	57.0	
				P2	57.0	72.0	
17-21/Y2C-P1Q2	Luminous Intensity	Iv	75	P1	45.0	57.0	mcd
				P2	57.0	72.0	
				Q1	72.0	90.0	
				Q2	90.0	112	
17-21/Y2C-P2R1	Luminous Intensity	Iv	95	P2	57.0	72.0	mcd
				Q1	72.0	90.0	
				Q2	90.0	112	
				R1	112	140	
17-21/Y2C-Q1R2	Luminous Intensity	Iv	120	Q1	72.0	90.0	mcd
				Q2	90.0	112	
				R1	112	140	
				R2	140	180	

**Note:**

The luminous intensity data did not including  $\pm 10\%$  testing tolerance.



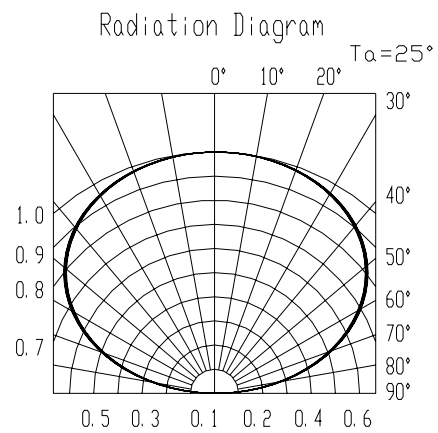
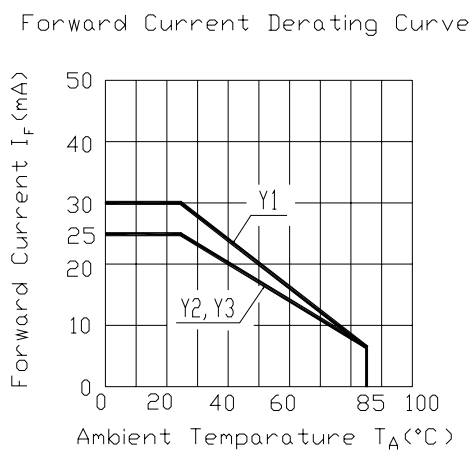
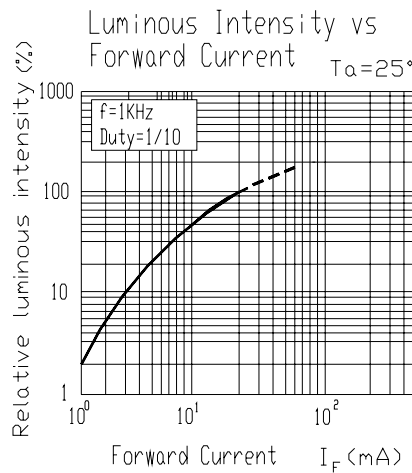
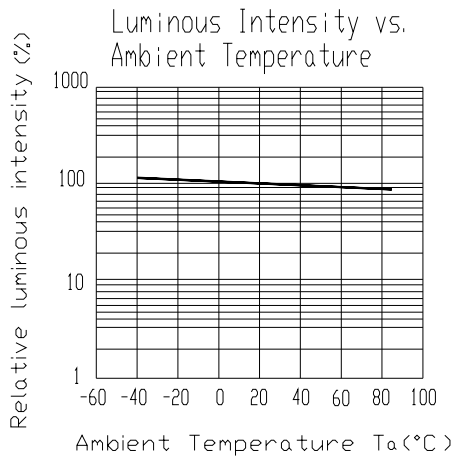
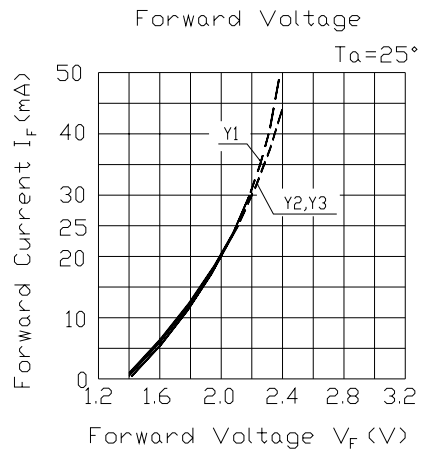
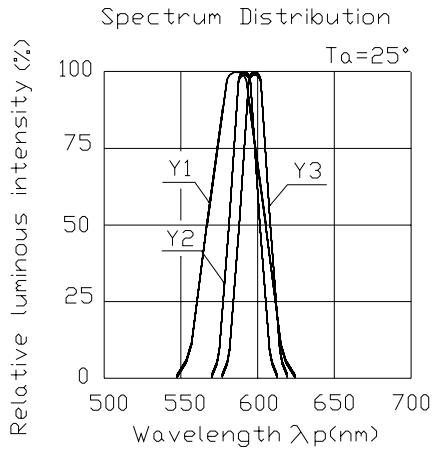
**17-21/Y\_\_C Series Explain Of Luminous Intensity:**
**IF=20mA**

Part No.	Parameter	Symbol	Typ.	Bin	Min.	Max.	Unit
17-21/Y3C-N1P2	Luminous Intensity	Iv	50	N1	28.5	36.0	mcd
				N2	36.0	45.0	
				P1	45.0	57.0	
				P2	57.0	72.0	
17-21/Y3C-P1Q2	Luminous Intensity	Iv	75	P1	45.0	57.0	mcd
				P2	57.0	72.0	
				Q1	72.0	90.0	
				Q2	90.0	112	
17-21/Y3C-P2R1	Luminous Intensity	Iv	95	P2	57.0	72.0	mcd
				Q1	72.0	90.0	
				Q2	90.0	112	
				R1	112	140	
17-21/Y3C-Q1R2	Luminous Intensity	Iv	120	Q1	72.0	90.0	mcd
				Q2	90.0	112	
				R1	112	140	
				R2	140	180	

**Note:**

 The luminous intensity data did not including  $\pm 10\%$  testing tolerance.

**Typical Electro-Optical Characteristics Curves**

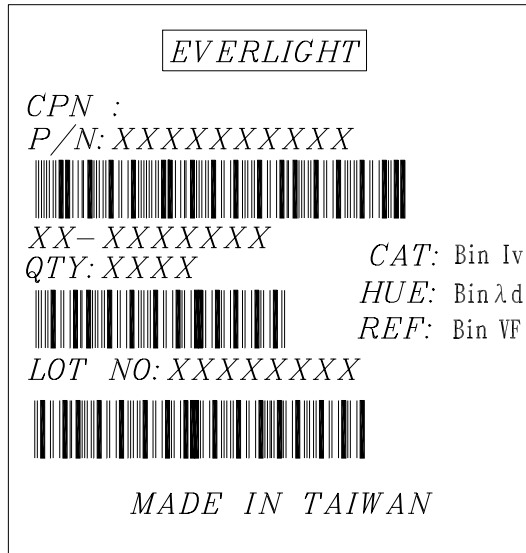


**Label explanation**

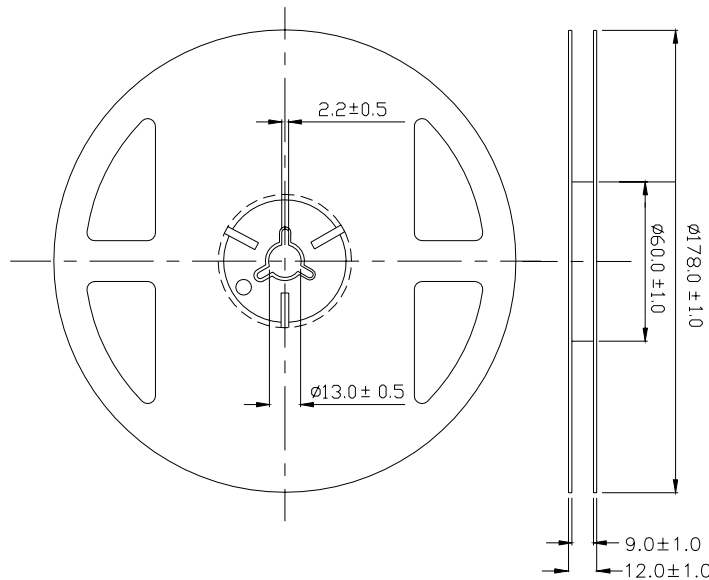
**CAT: Luminous Intensity Rank**

**HUE: Dom. Wavelength Rank**

**REF: Forward Voltage Rank**

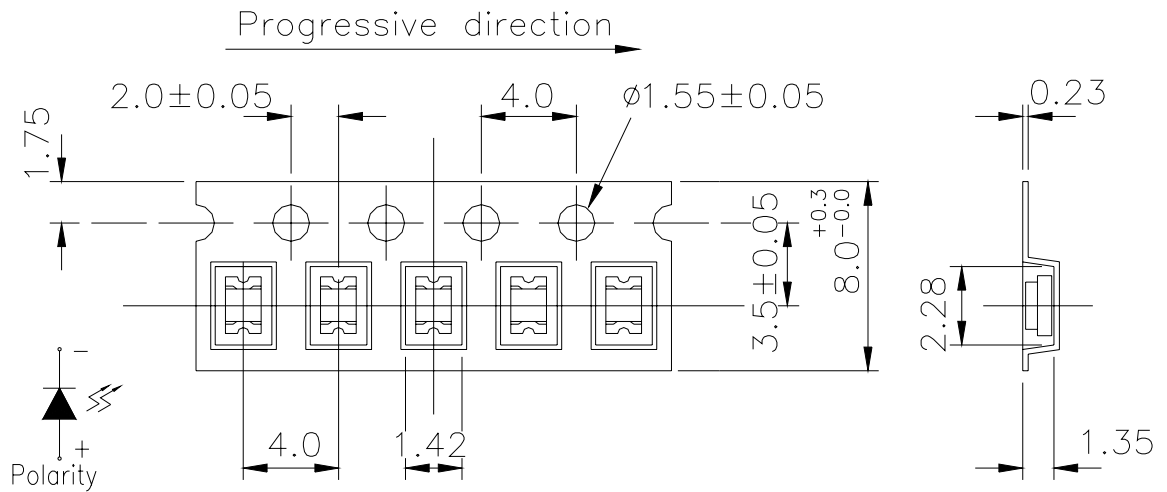


**Reel Dimensions**



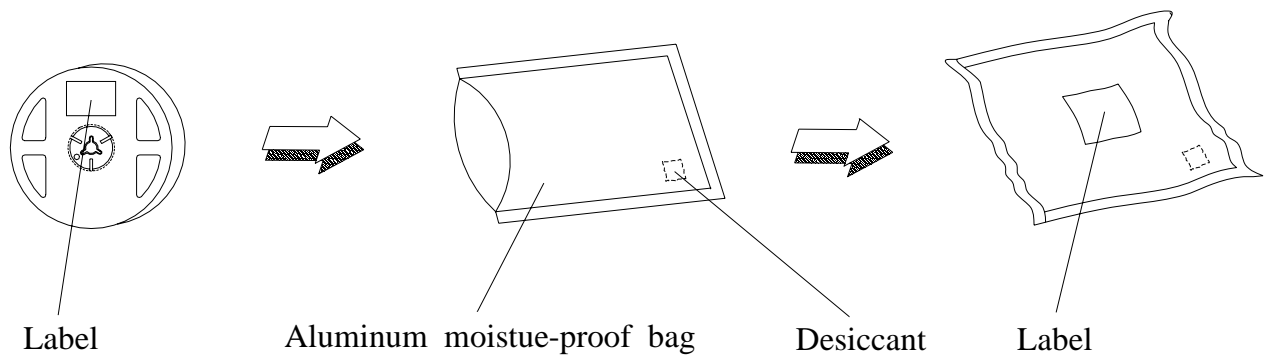
**Note:** Tolerances Unless Dimension  $\pm 0.1\text{mm}$  ,Unit = mm

**Carrier Tape Dimensions: Loaded quantity 3000 PCS per reel**



**Note:** Tolerances Unless Dimension ±0.1mm ,Unit = mm

**Moisture Resistant Packaging**



**Reliability Test Items And Conditions**

The reliability of products shall be satisfied with items listed below.

Confidence level : 90%

LTPD : 10%

No.	Items	Test Condition	Test Hours/Cycles	Sample Size	Ac/Re
1	Reflow Soldering	Temp. : 260°C ±5°C Min. 5sec.	6 Min.	22 PCS.	0/1
2	Temperature Cycle	H : +100°C 15min ∫ 5 min L : -40°C 15min	300 Cycles	22 PCS.	0/1
3	Thermal Shock	H : +100°C 5min ∫ 10 sec L : -10°C 5min	300 Cycles	22 PCS.	0/1
4	High Temperature Storage	Temp. : 100°C	1000 Hrs.	22 PCS.	0/1
5	Low Temperature Storage	Temp. : -40°C	1000 Hrs.	22 PCS.	0/1
6	DC Operating Life	IF = 20 mA	1000 Hrs.	22 PCS.	0/1
7	High Temperature / High Humidity	85°C / 85%RH	1000 Hrs.	22 PCS.	0/1

**Precautions For Use**

1. Over-current-proof

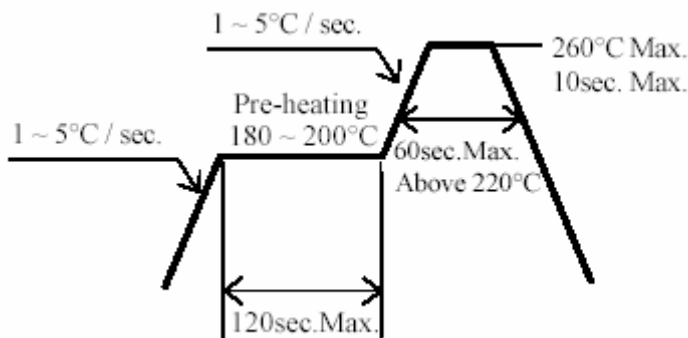
Customer must apply resistors for protection , otherwise slight voltage shift will cause big current change ( Burn out will happen ).

2. Storage

- 2.1 Do not open moisture proof bag before the products are ready to use.
- 2.2 Before opening the package, the LEDs should be kept at 30°C or less and 90%RH or less.
- 2.3 The LEDs should be used within a year.
- 2.4 After opening the package, the LEDs should be kept at 30°C or less and 70%RH or less.
- 2.5 The LEDs should be used within 168 hours (7 days) after opening the package.
- 2.6 If the moisture absorbent material (silica gel) has faded away or the LEDs have exceeded the storage time, baking treatment should be performed using the following conditions.  
Baking treatment : 60±5°C for 24 hours.

3. Soldering Condition

3.1 Pb-free solder temperature profile



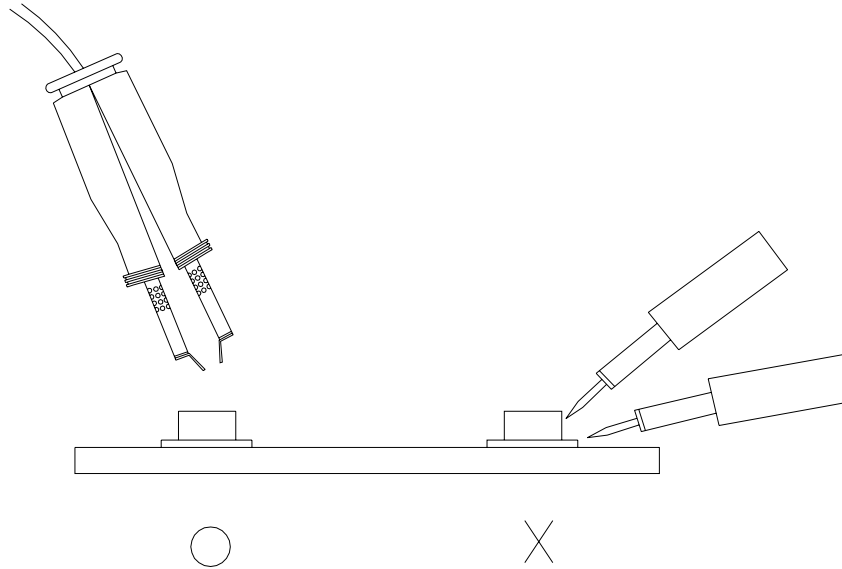
- 3.2 Reflow soldering should not be done more than two times.
- 3.3 When soldering, do not put stress on the LEDs during heating.
- 3.4 After soldering, do not warp the circuit board.

4. Soldering Iron

Each terminal is to go to the tip of soldering iron temperature less than 280°C for 3 seconds within once in less than the soldering iron capacity 25W. Leave two seconds and more intervals, and do soldering of each terminal. Be careful because the damage of the product is often started at the time of the hand solder.

### 5.Repairing

Repair should not be done after the LEDs have been soldered. When repairing is unavoidable, a double-head soldering iron should be used (as below figure). It should be confirmed beforehand whether the characteristics of the LEDs will or will not be damaged by repairing.



**EVERLIGHT ELECTRONICS CO., LTD.**  
Office: No 25, Lane 76, Sec 3, Chung Yang Rd,  
Tucheng, Taipei 236, Taiwan, R.O.C

Tel: 886-2-2267-2000, 2267-9936  
Fax: 886-2267-6244, 2267-6189, 2267-6306  
<http://www.everlight.com>